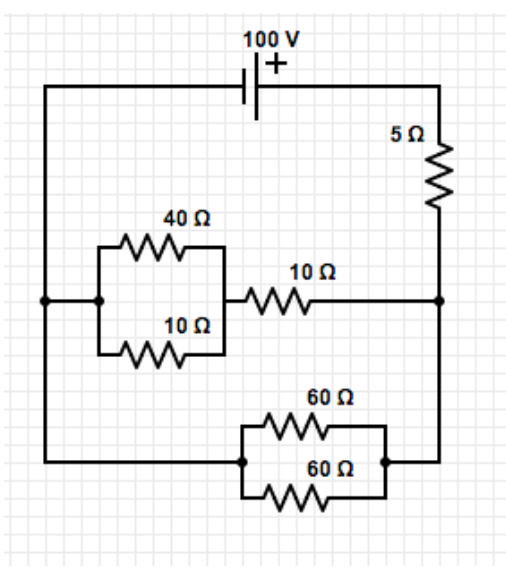
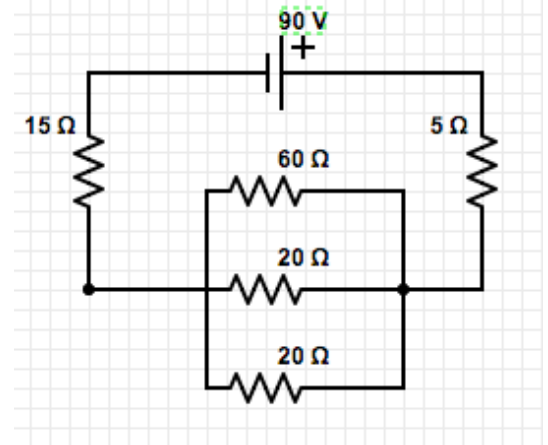
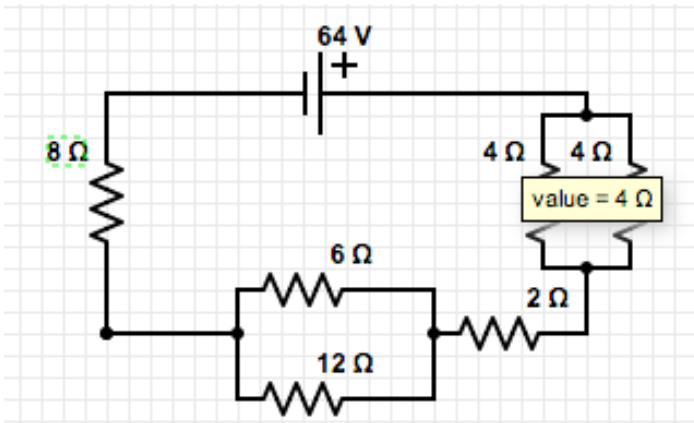
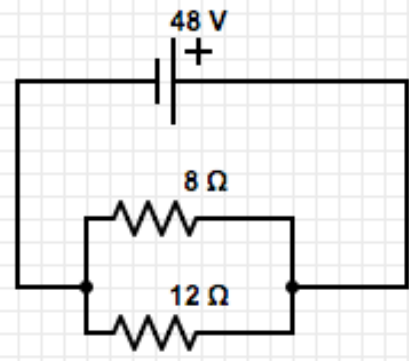
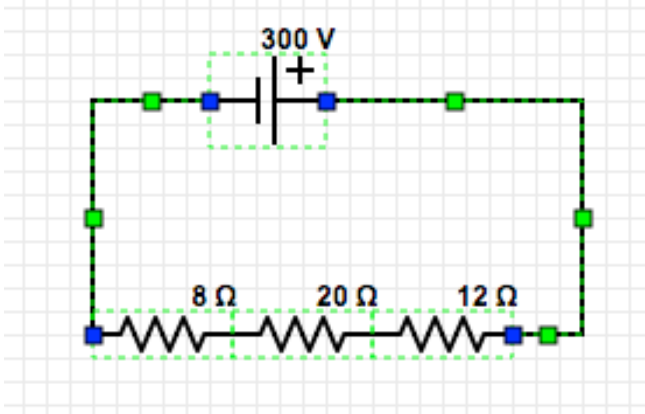


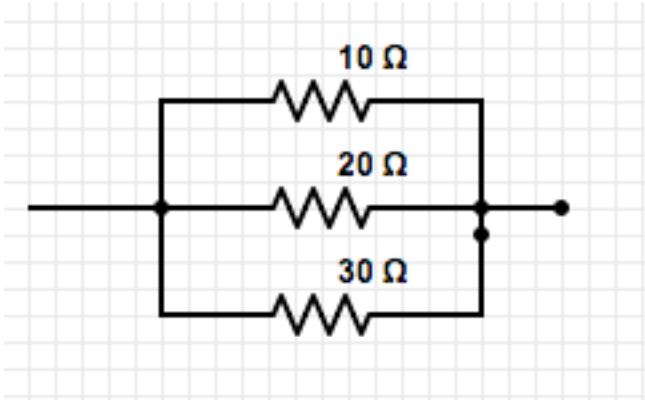
Circuit Intro

1. For each circuit, find R_{net} , I_{net} , and Power.



Circuit Intro

2. If 5 Amps come into the node on the left, find the current in each resistor.



3. For the circuit below, find

- R_{net}
- I_{net}
- I through 25
- I through 100
- V across 6
- V across 25
- V across 100
- V across 4
- Total P
- P in 6
- P in 25
- P in 100
- P in 4

